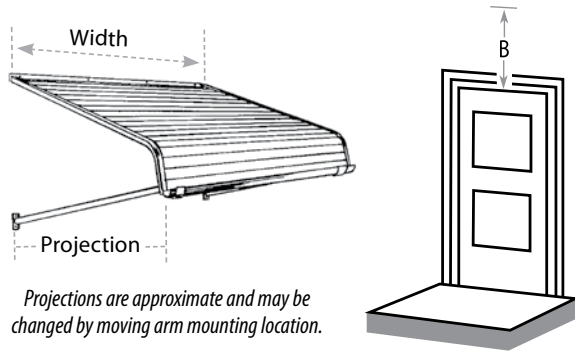


Measuring & Ordering Worksheet



1100

ALUMINUM DOOR CANOPY WITH SUPPORT ARMS



! Support arms require 3" of mounting space over door (B).
If sidewings are desired, please see Aluminum Door Canopy with Sidewings on page 5.

Canopy Model #	4	5	6	7	8	9	10
Projection†	22"-24"	27"-30"	33"-36"	39"-42"	45"-48"	51"-54"	56"-60"

† Final projection is determined on the mounting height of the support arms and type of mounting surface.

Measuring & Ordering Information

Complete the order using the following steps:

STEP 1

Canopy Model Numbers 4 through 10:

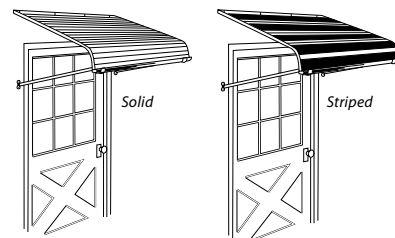
Using the chart provided, choose the appropriate canopy model# that matches the projection that best fits your needs. If mounting over an out swinging door use at least a model # 7.

STEP 2

Canopy Width: Measure outside width of door casing. Add at least 3" - 5" on each side for proper appearance (be sure light fixtures are not in the way).

STEP 3

Color/Pattern Choice: Select the color(s)* and pattern that best complements your home. The canopy top may be ordered in a solid color or striped pattern. Underside and support arms are always white.



ORDER FORM: SERIES 1100

	Step #1	Step #2	Step #3	
Quantity	Canopy Model # 4, 5, 6, 7, 8, 9, or 10	Canopy width in inches	Canopy Color*	Stripe Color

*Arms and underside of canopy are always white.

SPECIAL ORDERS ARE NOT RETURNABLE. VERIFY ALL INFORMATION BEFORE ORDERING.

This worksheet is intended to be a helpful resource in preparing your home for the installation of your Nulmage® Awning. It is important to determine wall space measurement requirements prior to purchase to ensure successful installation.